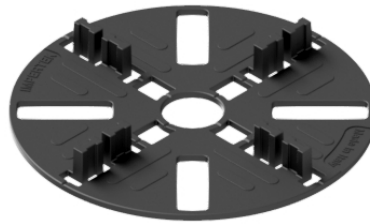


Thickness 2 mm - 4 mm



Function The Heads for GravitySystem are an essential accessory for the dry installation of outdoor raised flooring, using GravityGrid grids as the support base. Thanks to the spacer fins, they allow for the precise placement of tiles of any format, ensuring a uniform and long-lasting grout line. If needed, the fins can be easily cut, and thanks to the pre-incisions on the head's plate, it can be divided into up to 4 parts, enhancing functionality for specific installation points. The properties of the material used confer an anti-shock function, reducing footstep noise by cushioning the contact between the tile and the GravityGrid while ensuring sufficient friction to keep the tiles in position.

Compatibility GravityGrid

Range Joint thickness: 2 mm – 4 mm.

Performance The material used for the Heads is resistant to degradation caused by sunlight, ozone, and other atmospheric or chemical agents commonly present. It maintains high flexibility even at low temperatures. Fire reaction classification: E(fl). The mechanical characteristics remain unchanged over time.

Operating temperature -20°C; +75°C

Included accessories:	-	Recycled product	No
Optional accessories:	-	Recyclable product	Yes
		Material	TPE

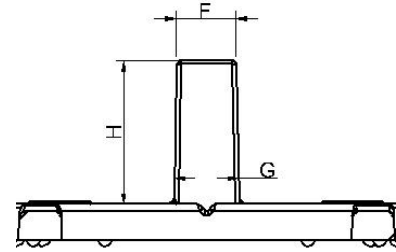
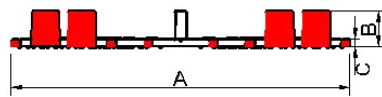
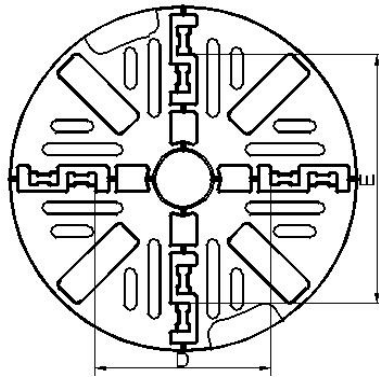
Additional information

-

If not otherwise indicated, all measurements are expressed in millimetres.

All dimensions indicated are average values typical of the product and they are not specific of a single batch. All information contained in this document is purely indicative and it is based on the knowledge of Impertek at the date of publication. It is responsibility of the buyer to judge if the product is suitable for the expected purpose.

Thickness 2 mm - 4 mm



Line Item	Description	A	B	C	D	E	F	G	H	I
1 270-000-500-002	Headpiece for GravitySystem GS-GH sp 2	120,0	12,5	2,5	60,3	86,3	2,1	2,4	10,0	
2 270-000-500-004	Headpiece for GravitySystem GS-GH sp 4	120,0	12,5	2,5	60,3	86,3	4,2	4,5	10,0	

If not otherwise indicated, all measurements are expressed in millimetres.

All dimensions indicated are average values typical of the product and they are not specific of a single batch. All information contained in this document is purely indicative and it is based on the knowledge of Impertek at the date of publication. It is responsibility of the buyer to judge if the product is suitable for the expected purpose.